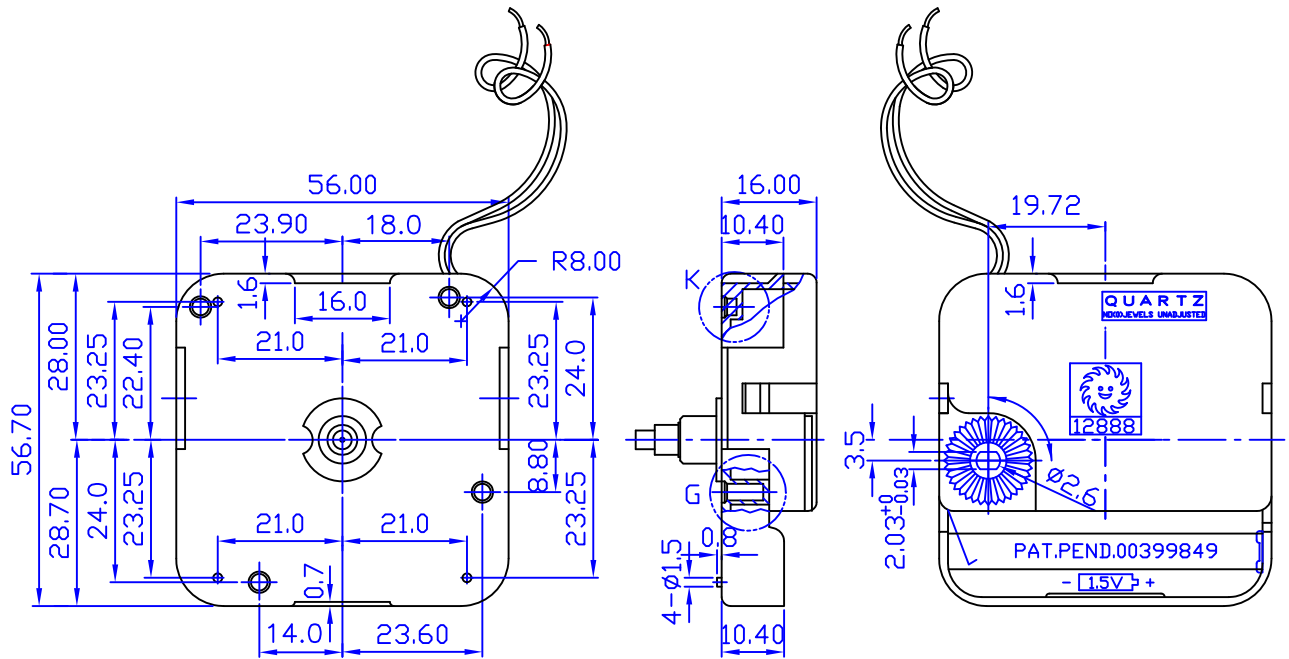


12888SE Trigger Movement



*UNIT :m/m

TYPE \ SPEC	A	B	C	D	DESCRIPTION
12888SE	14.5	13.7	11.0	7.0	Screw In Type Trigger Movement
12888SBE	11.0	10.2	7.5	3.5	
12888SB2E	12.4	11.9	9.6	5.5	
12888SC1E	17.0	16.2	13.5	9.5	
12888SCE	23.5	22.7	20.0	16.0	
12888SAE	8.6	7.8	5.6	-	Snap In Type Trigger Movement
12888SA1E	11.0	10.2	7.5	-	

SPECIFICATIONS

OPERATING VOLTAGE	1.3V~ 1.7V
TIME KEEPING ACCURACY	±30SEC/MONTH AT 1.5V DC. 25°C (UNADJUSTED)
CURRENT CONSUMPTION	LESS THAN 150 µA AT 1.5V DC.
TORQUE AT SECOND HAND	0.6 (GF-CM)
TORQUE AT MINUTE HAND	LESS THAN 36 (GF-CM)
OPERATING TEMPERATURE RANGE	-10°C ~ 60°C