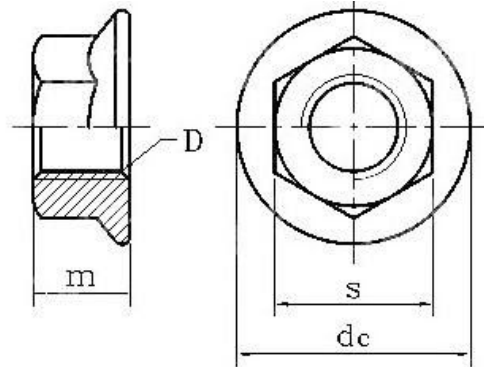


M3 3mm stainless steel flanged nut
DIN6923



单位: mm

规格	m	s	Dc
M3	3.7	5.9	7.6
M4	4.3	6.8	9.1
M5	4.8	7.8	10.5
M6	5.4	9.6	12.95
M8	7	12.9	16.4
M10	8.6	14.8	21.6
M12	9.9	17.8	23.5
M16	13.6	23.7	31.3