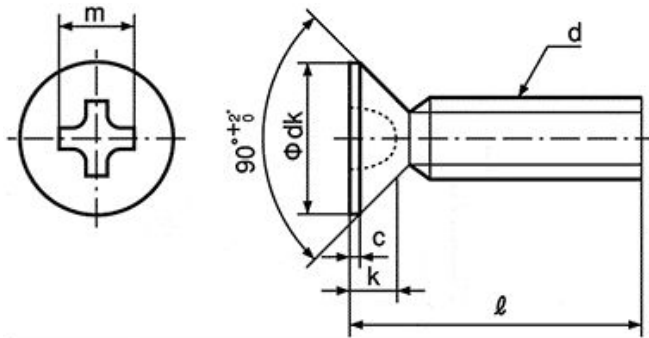


**M2-M10 Stainless steel 304 countersunk
screw flat head phillips**



Screw Nominal	Pitch	Cross Hole Number	dk		k		c	m	cq (Cross Recess Hole Depth)	
			Reference Dimensions	Tolerance	Reference Dimensions	Tolerance			Approx.	Reference
M2	0.4	1	4	0 -0.4	1.2	0 -0.2	0.2	2.2	1.01	0.65
M2.3	0.4		4.6		1.35		0.2	2.4	1.21	0.85
M2.5	0.45		5		1.45		0.2	2.6	1.42	1.05
M2.6	0.45		5.2		1.5		0.2	2.6	1.42	1.05
M3	0.5	2	6	0 -0.5	1.75	0 -0.3	0.25	3.6	1.43	0.91
M3.5	0.6		7		2		0.25	4.1	1.93	1.40
M4	0.7		8		2.3		0.3	4.5	2.33	1.79
M5	0.8		10		2.8		0.3	5.1	2.93	2.38
M6	1.0	3	12	0 -0.7	3.4	0 -0.4	0.4	6.7	3.26	2.70
M8	1.25		16	0 -0.8	4.4		0.4	8.4	4.96	4.36
M10	1.5	4	20	0 -1.3	5.7	0 -0.5	0.7	10	5.95	5.15